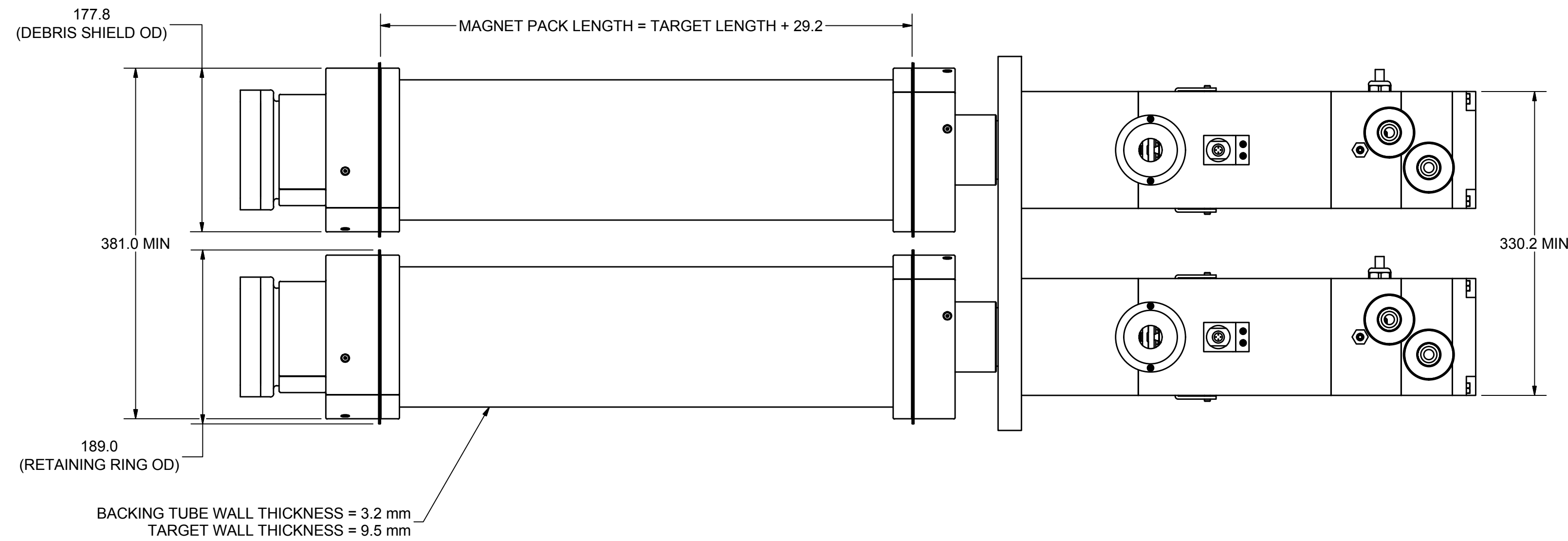
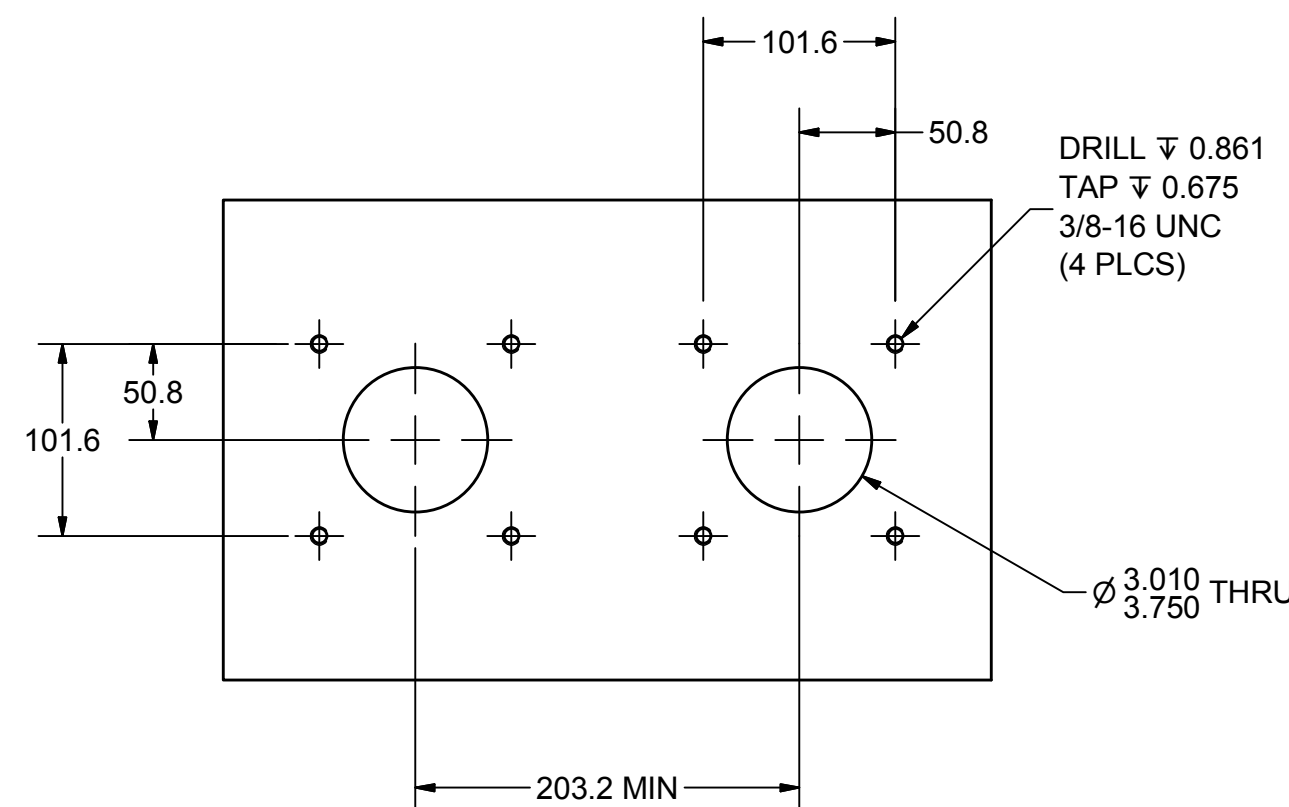


NOTE: FOR A 108.0 MM OD BACKING TUBE: MINIMUM DISTANCE BETWEEN t'S OF ROTATION DECREASES TO 177.8 MM (FROM 203.2 MM), MINIMUM DISTANCE BETWEEN OUTSIDE TO OUTSIDE OF ENDBLOCK DECREASES TO 304.8 MM (FROM 330.2 MM), MINIMUM DISTANCE BETWEEN OUTSIDE TO OUTSIDE OF DEBRIS SHIELD DECREASES TO 330.2 MM (FROM 381.0 MM).

DEBRIS SHIELD OD DECREASES TO 152.4 MM (FROM 177.8 MM) AND DEBRIS SHIELD RETAINING RING OD DECREASES TO 161.2 MM (FROM 189.0 MM).



SAMPLE VALUES FOR +/- 5% UNIFORMITY					
A (SUBSTRATE WIDTH)	B (TARGET TO SUBSTRATE)	C (TARGET LENGTH)	BACKING TUBE LENGTH	MIN OVERALL LENGTH	
380.0	25.0	450.8	511.8	725.8	
380.0	37.5	500.8	561.8	775.8	
380.0	50.0	550.8	611.8	825.8	
380.0	62.5	600.8	661.8	875.8	
380.0	75.0	650.8	711.8	925.8	



ANGSTROM SCIENCES SIDE-MOUNT CYLINDRICAL
HORIZONTAL MOUNT
UNITS: MM

NO.	DATE	REVISION	BY	TOLERANCES (UNLESS OTHERWISE SPECIFIED)	CONFIDENTIAL	SCALE: 1/4	ANGSTROM SCIENCES, INC.
				LINEAR (IN.) FRACTIONAL = ± 1/64 2 PLACE DECIMAL = ± 0.01 3 PLACE DECIMAL = ± 0.005 4 PLACE DECIMAL = ± 0.0005	NOTICE: THE INFORMATION CONTAINED HEREIN IS PROPERTY OF ANGSTROM SCIENCES, INC. DUQUESNE, PA AND CONTAINS PROPRIETARY INFORMATION WHICH HAS BEEN SUBMITTED TO YOU IN CONFIDENCE FOR A SPECIFIC PURPOSE. COPYING, USING, OR DISCLOSURING THIS DRAWING OR THE INFORMATION ON IT WITHOUT ANGSTROM SCIENCES PRIOR WRITTEN CONSENT BY AN APPROVED REPRESENTATIVE IS PROHIBITED AND MAY BE GROUNDS FOR LEGAL ACTION. PATENTABLE DESIGN FEATURES ARE PROTECTED BY UNITED STATES PATENT LAWS.	DRAWN BY: jlowmaster DATE: 12/7/2009	TITLE: SIDE-MOUNT CYLINDRICAL
				ANGULAR DEGREES = ± 1' DEGS. MINS = ± 00' 30"		SHEET 1 OF 1	REV. SIZE: D
S:\angstrom\inventor1\MAGNETRON\CYLINDRICAL\SIDE-MOUNT LAYOUT\SIDE-MOUNT CYLINDRICAL (METRIC).idw						PART NO.:	