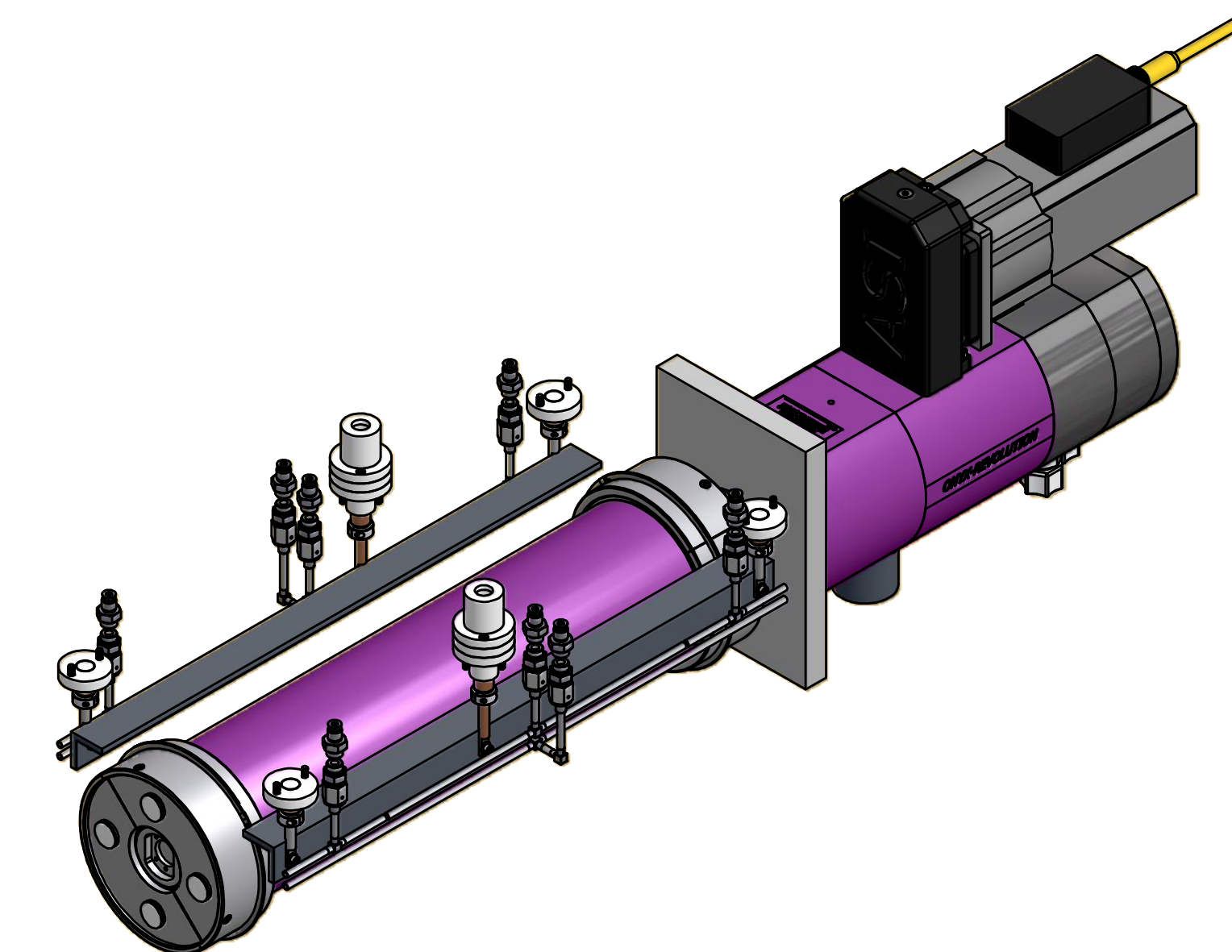


SEAL FACE DETAIL



REVOLUTION SIDE-MOUNT CYLINDRICAL - SINGLE

UNITS: MM

NO.	DATE	REVISION	BY	TOLERANCES (UNLESS OTHERWISE SPECIFIED)	CONFIDENTIAL	SCALE: 1/4	ANGSTROM SCIENCES, INC.
				LINEAR (IN.) FRACTIONAL = ± 1/64 2 PLACE DECIMAL = ± 0.01 3 PLACE DECIMAL = ± 0.005 4 PLACE DECIMAL = ± 0.0005	NOTICE: THE INFORMATION CONTAINED HEREIN IS PROPERTY OF ANGSTROM SCIENCES, INC. DUCQUESNE, PA AND CONTAINS PROPRIETARY INFORMATION WHICH HAS BEEN SUBMITTED TO YOU IN CONFIDENCE FOR A SPECIFIC PURPOSE. COPYING, USING OR DISCLOSING THIS DRAWING OR THE INFORMATION ON IT WITHOUT ANGSTROM SCIENCES PRIOR WRITTEN CONSENT BY AN APPROVED REPRESENTATIVE IS PROHIBITED AND MAY BE GROUNDS FOR LEGAL ACTION. PATENTABLE DESIGN FEATURES ARE PROTECTED BY UNITED STATES PATENT LAWS.	DRAWN: jlowmaster DATE: 8/29/2017	TITLE:
				ANGULAR DEGREES = ± 1° DEGS. MINS = ± 00' 30"		DATE:	REV. SIZE
						DATE:	DRAWING NUMBER: 4300
						DATE:	REV. SIZE
						DATE:	D
S:\Angstrom Inventor\1-MAGNETRON\CYLINDRICAL\CONFIGURATOR FILES\CYLINDRICAL CATHODE DRAWINGS\COMPACTSIDE-MOUNT\VERTICAL ONLY\SLB\4300.idw						SHEET 1 OF 1	